

ACC-Rack-1003

6U Rack Mount Shelf

(For AVP-EN/DE2K-101、AVP-EN/DE4K-101)

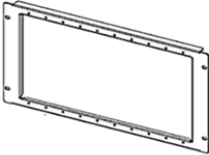






Description:

This 6U rack can accommodate up to 10 AV over IP devices, providing a convenient and organized installation solution. Supported devices are listed in the table below.

Control box	AVP-CBS2K-101
2K Series	AVP-DE2K-101
	AVP-EN2K-101
4K Series	AVP-DE4K-101
	AVP-EN4K-101
6K Series	AVP-EN6K-101
	AVP-EN6K-101

Package contents :

				
6U rack frame	Front panel bracket(A)x10	Front panel bracket(B)x10	Front panel screws x20	Countersunk head screws x20

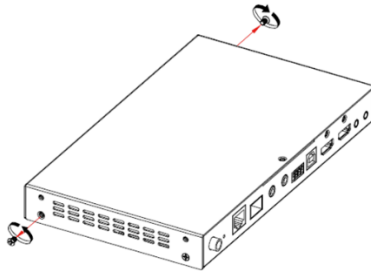
※**Note:** Front panel bracket A is available in both 2K and 4K series.

Product dimensions:

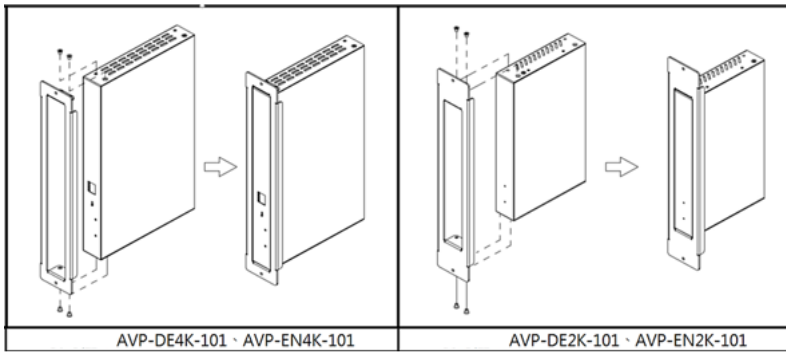
W x H x D: 483mm x 265.9mm x 20mm (19.0" x 10.4" x 0.78")

Installation steps:

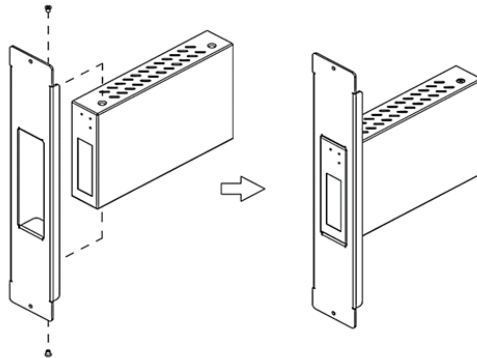
Step 1. Remove the screws from both sides of the encoder or decoder device housing.



Step 2. Take the front panel bracket (A) and fasten it with the 4 screws that were originally removed and the accessory screws included in this package.



Step 3. 取前面板支架(B) · 鎖上原卸下螺絲共 2 顆 · 如有購買控制盒安裝步驟與前兩個步驟相同 · 如沒有可省略。



Step 4. 將鎖好支架的設備裝入機架框內 · 並使用前面板螺絲固定即可裝入機櫃內。

